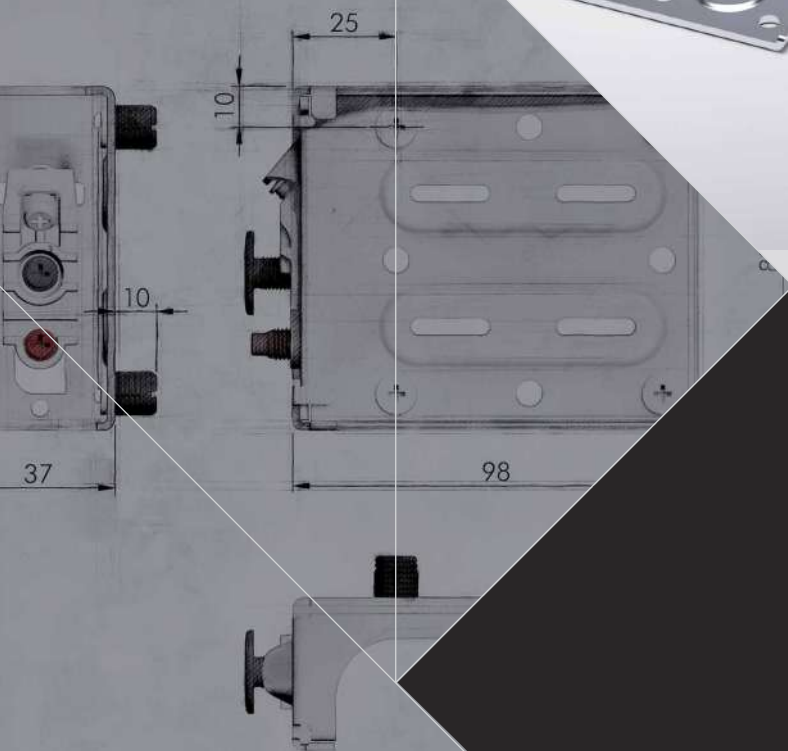


## LIBRA H11



HANGERS



**LIBRA H11**

---



PATENTED





## LIBRA H11

Suitable for suspended base units for all types of furniture.

Quick and easy installation through 4 holes to be pre-drilled on the side panel. Structural top and backside panel are not required.

Fixation on the side panel through M6 flat head screw or bespoke euro screw or, alternatively, simply slotting the hangers into the side holes with the version including pre-mounted bushes and screws.

Thanks to the slim side plate, it allows to fully and efficiently use the inner space.

Possibility to install it in pre-assembled cabinets.

Easy and intuitive installation and removal of the base unit.

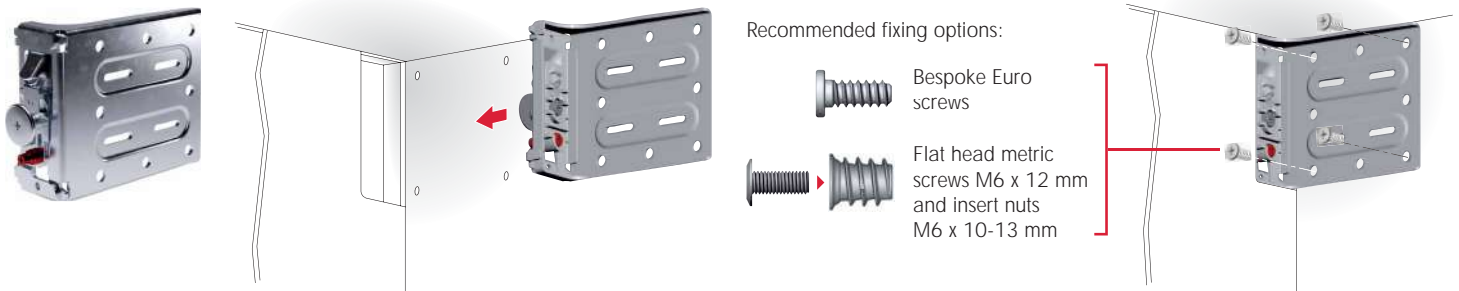
The adjustment body is easily accessible as the screwdriver works parallel to the side panel.

Patented anti-turnover device.

The integrated use of LIBRA WP13 is highly recommended.

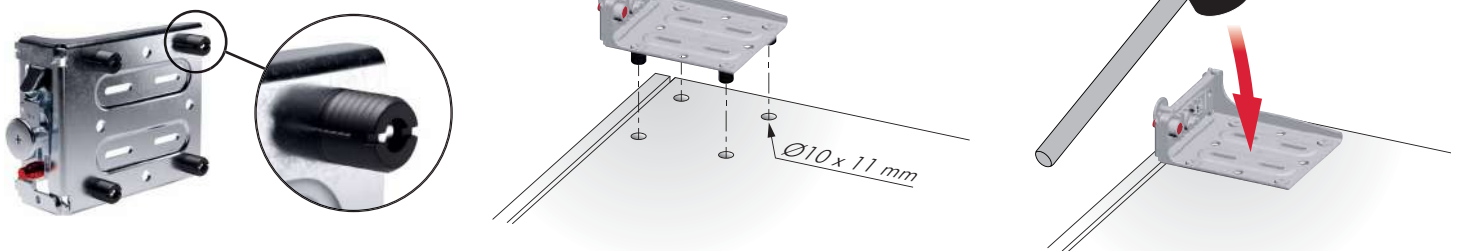


### LIBRA H11 SCREW FIXING INSTALLATION



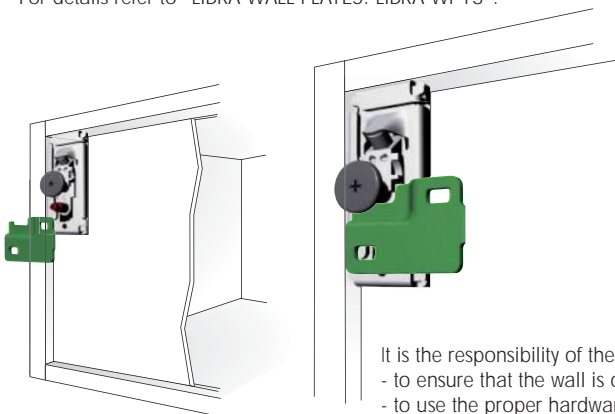
### LIBRA H11 WITH PRE-MOUNTED BUSHES AND SCREWS INSTALLATION

Suitable for automatic assembly.



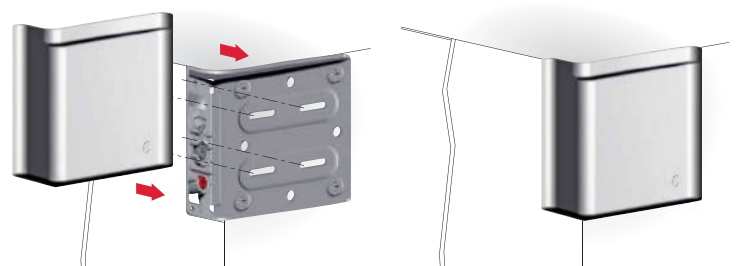
### INSTALLATION ON THE WALL

- For details refer to "LIBRA WALL PLATES: LIBRA WP13".



### OPTIONAL COVER CAP INSERTING

- For details refer to "LIBRA H11 ACCESSORIES".



It is the responsibility of the customer:

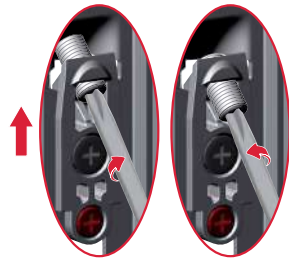
- to ensure that the wall is of a suitable quality to hold the unit fixing in place.
- to use the proper hardware fittings according to the construction of the wall.

For more specific information, please refer to the WARNINGS section at the end of the catalogue.

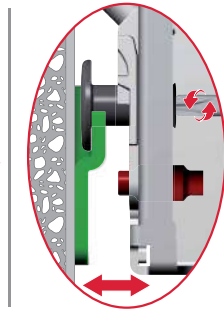
ADJUSTMENTS



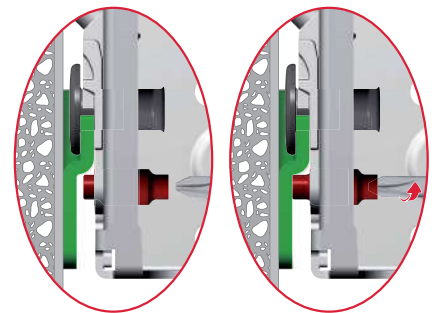
1  
VERTICAL ADJUSTMENT  
12 mm



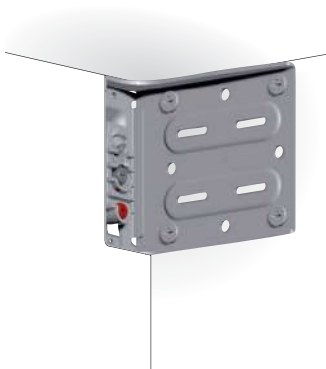
2  
IN-DEPTH ADJUSTMENT  
10 mm



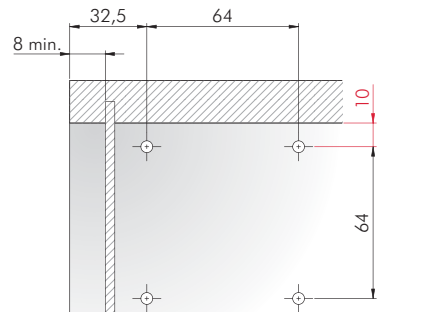
3  
ANTI-TURNOVER LOCKING  
Stop screwing the red bolt when  
it touches the wall plate



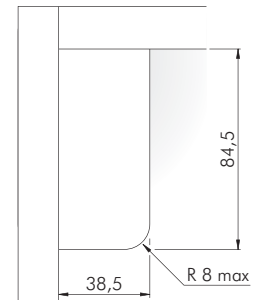
DRILLING PLAN WITHOUT COVER CAP



Side panel and service gap



Back panel

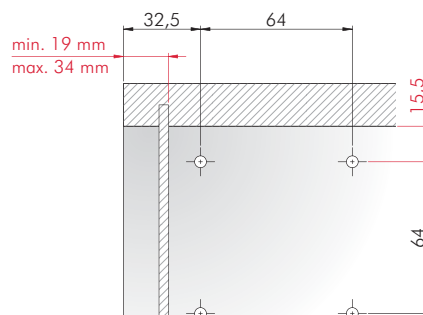


- Ø 5 x 13 mm for Euro screws
- Ø 8 mm with countersunk for insert nut M6
- Ø 10 x 11 mm for Libra H11 with pre-mounted bushes and screws

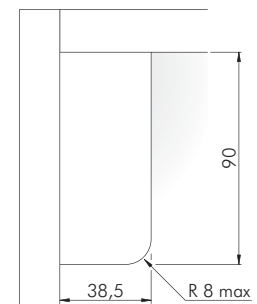
DRILLING PLAN WITH COVER CAP



Side panel and service gap

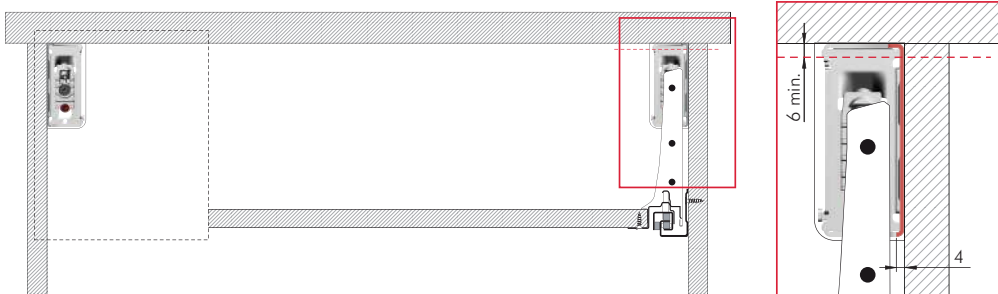


Back panel



- Ø 5 x 13 mm for Euro screws
- Ø 8 mm with countersunk for insert nut M6
- Ø 10 x 11 mm for Libra H11 with pre-mounted bushes and screws

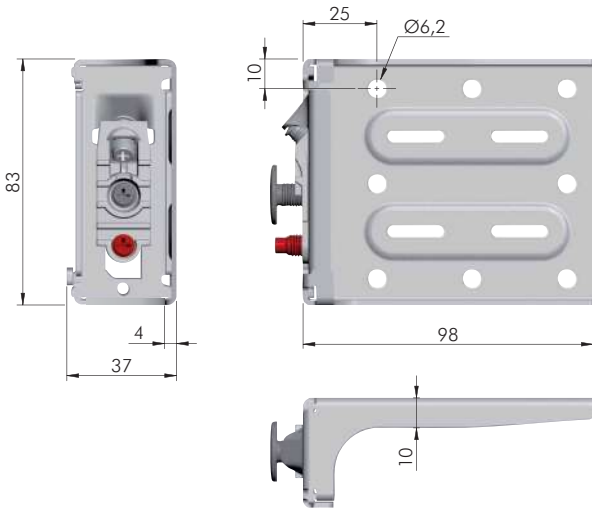
APPLICATION WITH SLIDES FOR DRAWERS



The hanging system is never interfering with the slides for drawers thanks to the slim side bracket wings.



**LIBRA H11 SCREW FIXING**

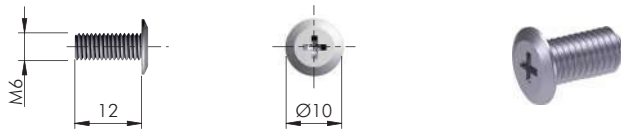


= PZ2			= 50 pcs.
		<b>(R)</b>	
<b>63425025ZN</b>		<b>(L)</b>	
<b>63425015ZN</b>			

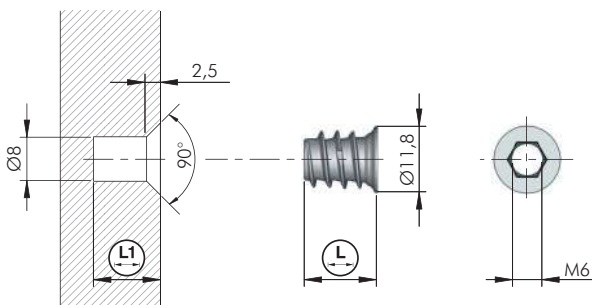
NOTE: for technical details about wall plates please refer to the related sections "LIBRA WALL PLATES" on page 12.64.



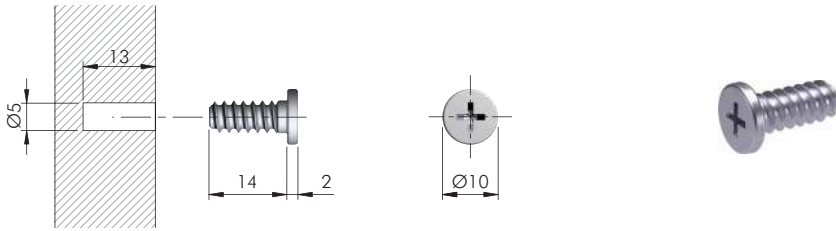
**LIBRA H11 SCREW FIXING ACCESSORIES**



= M6	= PZ2	
		= 5.000 pcs.
<b>20819020ZN</b>		

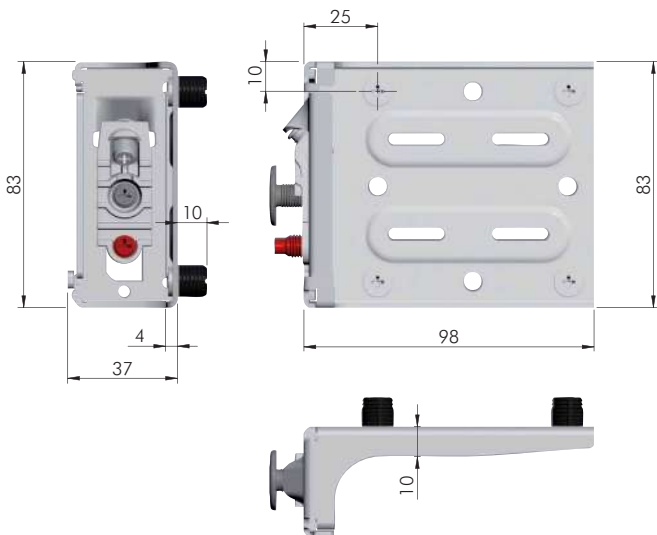


= Ø 8 mm	= M6		
	= S6		
		= 5.000 pcs.	
		<b>(L)</b>	<b>(L1)</b>
<b>20102010GR</b>	10	12	
<b>20102020GR</b>	13	15	



	= Ø 5 mm	
ST		
		= 5.000 pcs.
60507030ZN		

**LIBRA H11 WITH PRE-MOUNTED BUSHES AND SCREWS**



	= PZ2	
ST	ZA	EP
		= 50 pcs.
63425045ZN		
63425035ZN		

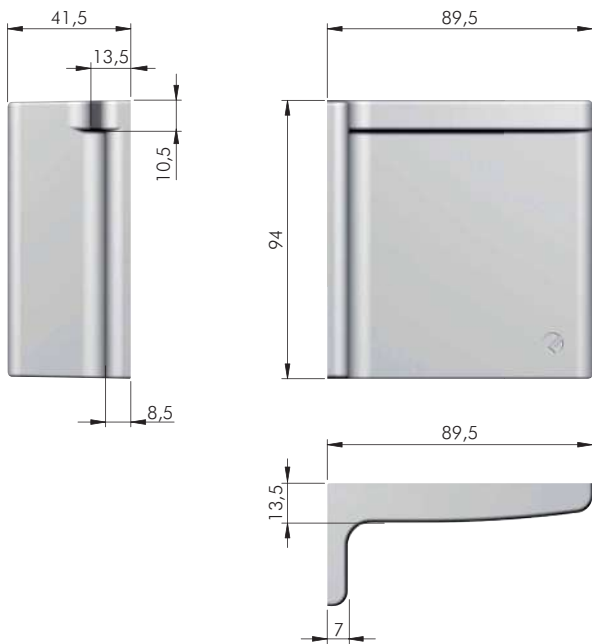
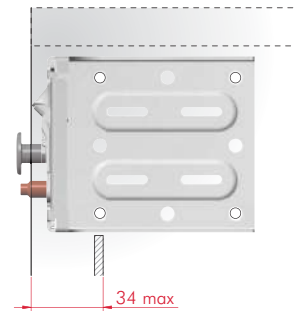
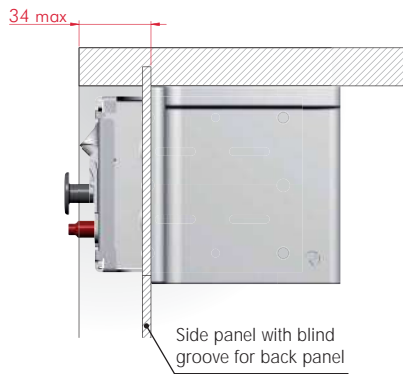
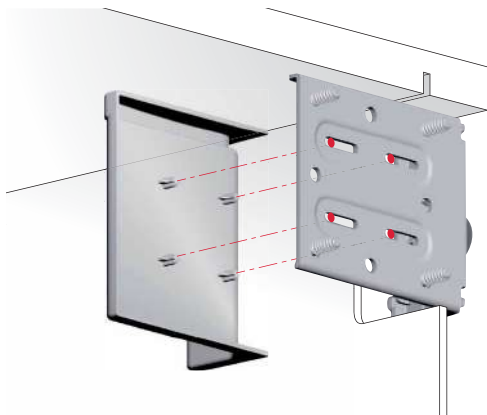
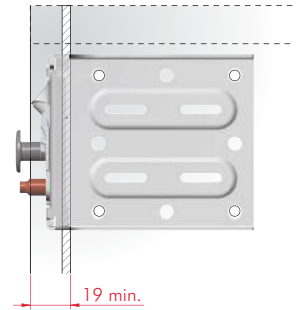
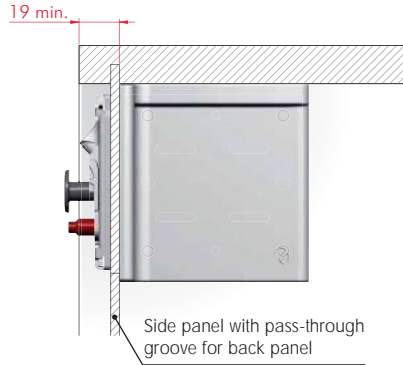
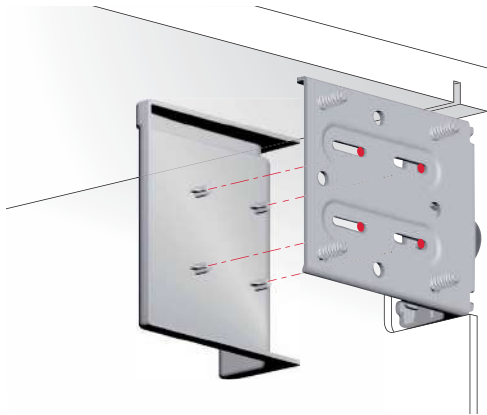
NOTE: for technical details about wall plates please refer to the related sections "LIBRA WALL PLATES" on page 12.64.





**LIBRA H11 COVER CAP**

INSTALLATION



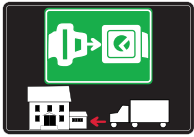
EP		= 100 pcs.	
		<b>(R)</b>	
<b>63490720AB</b>		<b>(L)</b>	
<b>63490710AB</b>		<b>(R)</b>	
<b>63490720EE</b>		<b>(L)</b>	
<b>63490710EE</b>		<b>(R)</b>	
<b>63490720IJ</b>		<b>(L)</b>	
<b>63490710IJ</b>			





# SYMBOLS AND FINISHES LEGEND

## SYMBOLS



= SHELF SAFELY LOCKED DURING TRANSPORTATION AND AT HOME.



= ANTI-TURNOVER LOCKING SYSTEM



= NORMS / PATENTS



= PHILLIPS / POZIDRIV



= WITH BUFFER



= PART NO.



= BLADE SLOT



= WITH MAGNET



= PCS. PER PACKAGE



= COMBI SLOT



= HEXAGONAL SOCKET



= NEWTON



= CAPACITY LOADING



= HEXALOBULAR SOCKET



= FRICTION



= WOOD / GLASS THICKNESS



= COUNTERSUNK HEAD



= AUTOMATIC



= HOLE DIAMETER



= PAN HEAD



= DROP DOWN



= DIAMETER



= FLANGE HEAD



= LENGTH



= FLAT HEAD



= STANDARD HINGE



= HEIGHT



= TRILOBULAR SCREW



= KIMANA HINGE



= RIGHT VERSION



= SELF-TAPPING SCREW



= FLAP HINGE



= LEFT VERSION



= EURO THREAD



= WITH SPRING



= SETTING CODE



= METRIC THREAD



= WITHOUT SPRING



= PCS. PER PAD



= PRE-INSERTED SCREW



= REVERSED SPRING



= CUT ON REQUEST



= PRE-INSERTED SCREW AND SPREADING BUSH



= SELF ADHESIVE



= WITH FLANGE

NOTE: Printing errors and omissions may exist despite our best efforts to ensure accuracy. We reserve the right to alter specifications without notice.

## MATERIALS

<b>ZA</b> = Zinc Alloy	<b>ST</b> = Steel	<b>HSS</b> = High Speed Steel	<b>BR</b> = Brass	<b>ABS</b> = Acrylonitrile Butadiene Styrene	<b>TPU</b> = Thermoplastic Polyurethane
<b>ZAnk</b> = Nickel-plated Zinc Alloy	<b>STzk</b> = Zinc-plated Steel	<b>AL</b> = Aluminium	<b>WD</b> = Wood	<b>EVA</b> = Ethylene Vinyl Acetate	
<b>EP</b> = <b>ENGINEERING PLASTIC</b>		+ <b>EP</b> = other engineering plastic available on request		<b>SR</b> = <b>SOFT RUBBER</b>	+ <b>SR</b> = other soft rubber available on request

<b>EPn</b> = Natural Engineering Plastic	<b>EPc</b> = Clear Engineering Plastic	<b>SRn</b> = Natural Soft Rubber
<b>EPw</b> = White Engineering Plastic	<b>EPg</b> = Grey Engineering Plastic	<b>SRw</b> = White Soft Rubber
<b>EPb</b> = Black Engineering Plastic	<b>EPa</b> = Anthracite Engineering Plastic	<b>SRb</b> = Black Soft Rubber

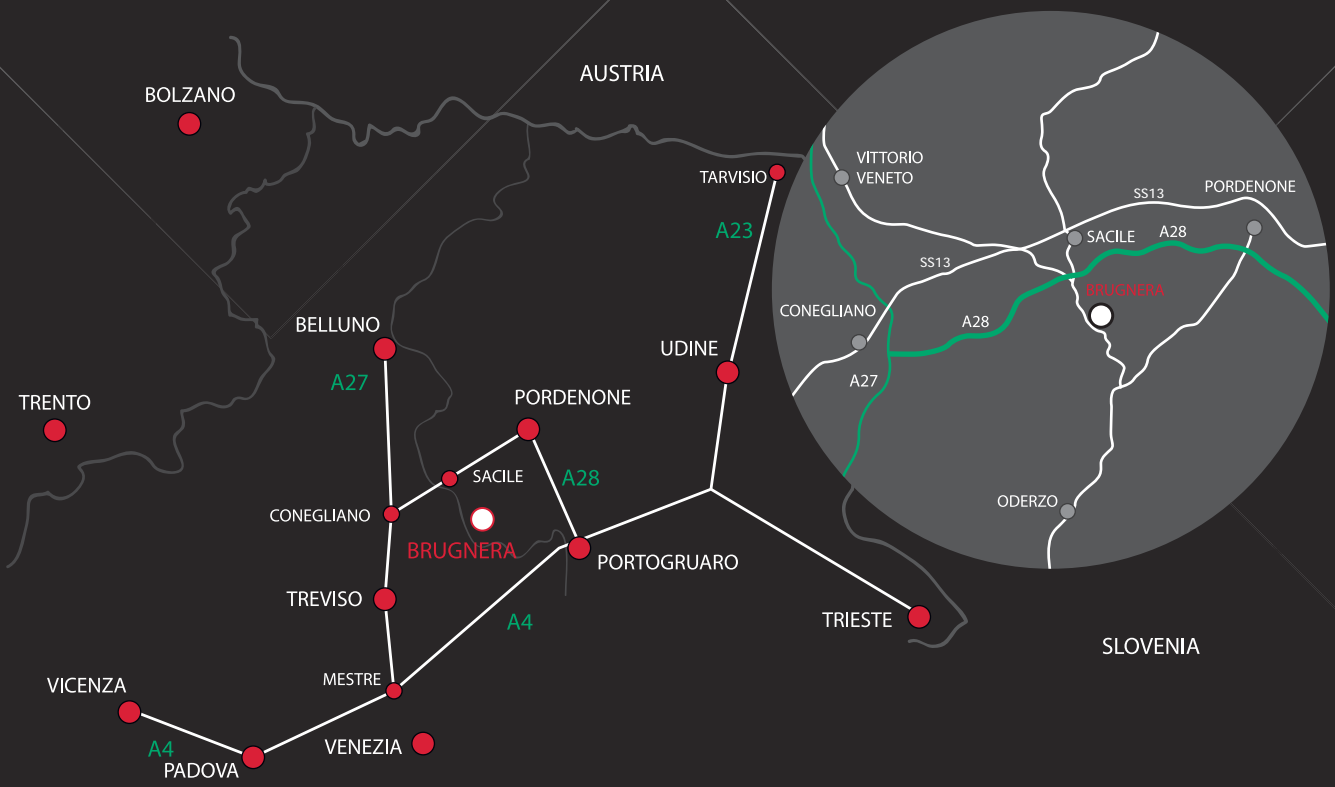


## FINISHES



+ OTHER FINISHES AVAILABLE ON REQUEST

PART NO.	FINISHES	PART NO.	FINISHES	PART NO.	FINISHES
00	Insignificant finish	IF	Grey 7	XE	Inox
AA	Natural	IJ	Light Grey	YA	Nickel-plated
AB	White	IL	Grey 20	YC	Matt Nickel-plated
AE	White 9010	IN	Grey met. 26	YD	Satin-finished Nickel-plated
EA	Black	JG	Aluminium 5	YQ	Black Nickel
EC	Matt Black	JL	Aluminium PE 11	Z9	Black Zinc
EE	Anthracite	JM	Aluminium RAL 9006	ZN	Zinc-plated
EW	Grey 9007	KB	Bright Chrome	ZQ	Bright Gold
FU	Gunmetal	KC	Matt Chrome	ZZ	Clear/Transparent
FV	Gunmetal V52	LD	Brown 8019		
GR	Zamak Raw	RO	Red		
HA	Brass-Plated	UT	T-Met 9007		
HH	Tropicalized	UZ	T-Met		
HL	Raw Brass	WA	Bronzed		
HX	Graphite	WI	Burnished		
IA	Grey	XD	Satin-finished Steel		



[www.italianaferramenta.com](http://www.italianaferramenta.com)

ITALIANA FERRAMENTA SRL - Viale Europa 17 I - 33070 Brugnera (PN)  
 Tel. +39 0434 428211 Fax +39 0434 428242 E-mail: [info@italianaferramenta.it](mailto:info@italianaferramenta.it)