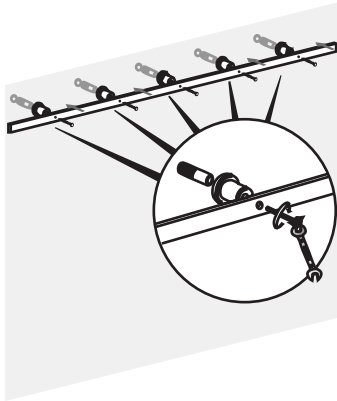
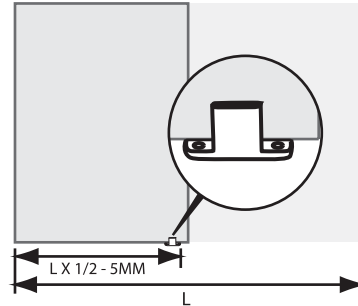


# INSTALLATION GUIDE OF CABINET BARN DOOR HARDWARE KIT

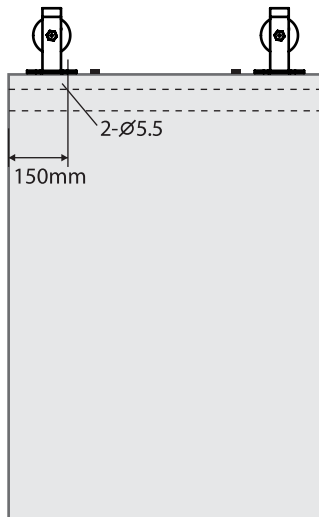
**Step 1.** Install track on the cabinet front board  
Using the carriage bolts (with washers), spacer to install correctly, securing with a wrench.



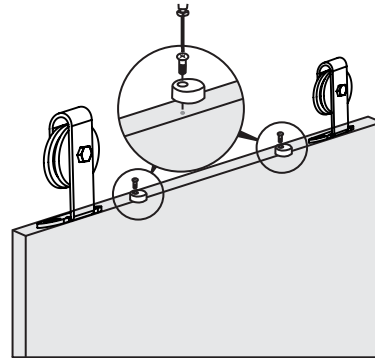
**Step 2.** Install floor guide at bottom of cabinet floor at 1/2 of the cabinet width (L) - 5MM.



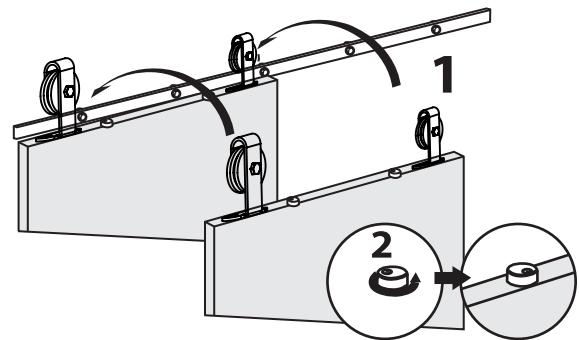
**Step 3.** Install 2 rollers onto the door, see below position.



**Step 4.** Position each anti-jump block at least 25mm from the edge of the roller straps. Tighten slightly to secure in place.



**Step 5.** Hanging the door on the track. Put the block to the right position.



**Step 6.** Install spring bolt on the door.

**Step 7.** Install the stoppers at both left and right. Adjust the stoppers in correct place to make sure  
A. the door can be close and open completely, the door can be closed and opened completely  
B. When you push the button on spring bolt, the pin of spring bolt can enter into the hole on left stopper correctly then fasten the stoppers with Allen Key.

