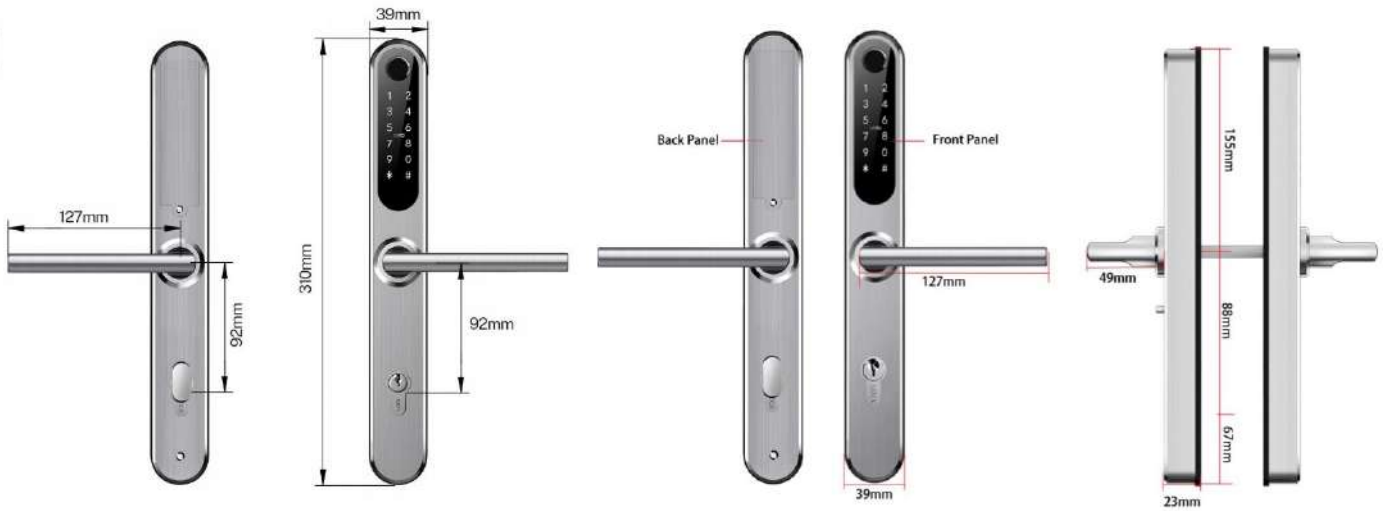


1.Introduction

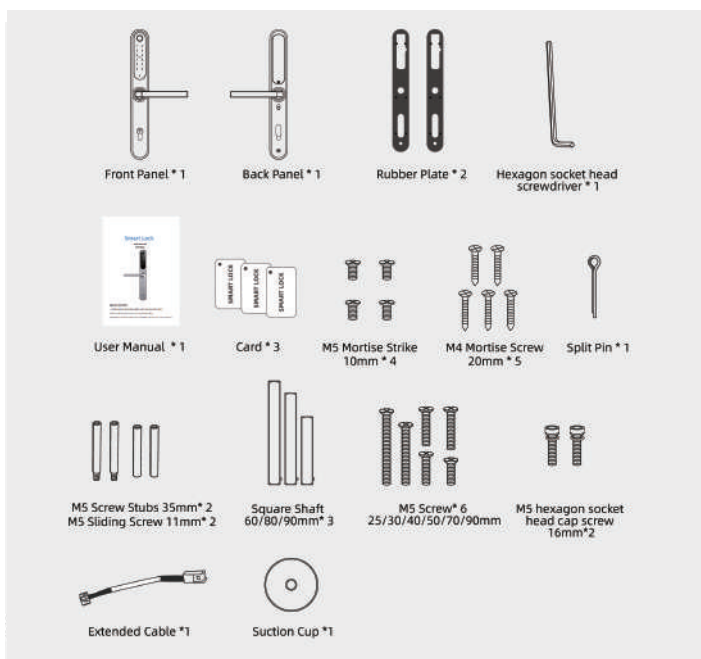
1.1. Lock structure



1.2. Packing List

NO	Name	Qty	NO	Name	Qty
1	Front Pane	1	11	60mm Square shaft	1
2	Back Panel	1	12	80mm Square shaft	1
3	Card	3	13	90mm Square shaft	1
4	Rubber Plate	2	14	M5*25mm Screw	1
5	U-Clip	1	15	M5*30mm Screw	1
6	User Manual	1	16	M5*40mm Screw	1
7	Screw Stubs:M5*35mm	2	17	M5*50mm Screw	1
8	Sliding Screws:M5*11mm	2	18	M5*70mm Screw	1
9	Mortise Screws:M5*10mm (For Aluminum Door)	4	19	Hexagon socket head cap screw(M5*16mm)	2
10	Mortise Screws M4*20mm (For Wooden Door)	5	20	Hexagon socket head screwdriver	1

Check the following drawing to confirm whether the package contains all the parts:-



1.3. Specifications

Suitable for Models	S35B-TB-C92	Doors Applicable	Aluminum door Wooden door
Materials	Handle: SS304 Panel: SS304	Working Voltage	6V/4x AA Batteries
Lock Weight	3 KG	Door Thickness to Fit	35-70mm
Unlocking Way	Bluetooth Fingerprint(option) Password Card Gateway(option)	Data Capacity	Fingerprint: 200 Password: 150 Card: 200
Color	Silver Black	Working Temperature	-10°C-55°C
Low Wattage Alarm	Less than 4.8V	Working Humidity	0-95%

Features:

- ✓ Semiconductor fingerprint sensor(508dpi)
- ✓ Passage mode function
- ✓ User ID access & User unlock records.
- ✓ Stainless steel handle
- ✓ Voice guided operation.
- ✓ Auto secure & break-in alarm
- ✓ Voice setting function.
- ✓ Auto locking time setting function
- ✓ Anti-theft Password
- ✓ Emergency power supply through USB

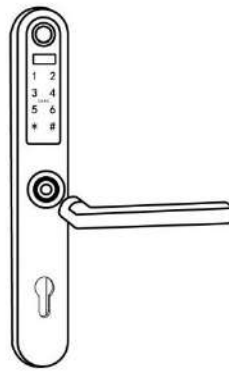
2. Installation

2.1. Turn the handle.

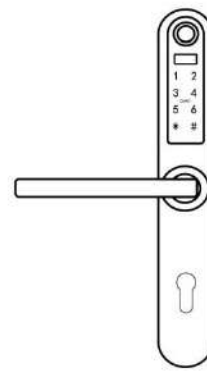
Notice: Adjust the handle according to the direction you open the door.



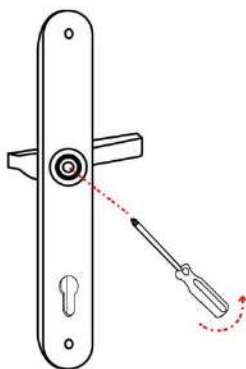
1、 Turn the handle on the front panel
Loosen the inner hexagon screw of the handle counterclockwise



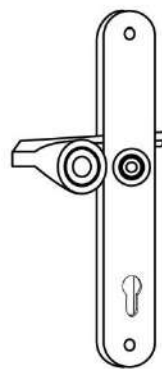
2、 Remove the handle



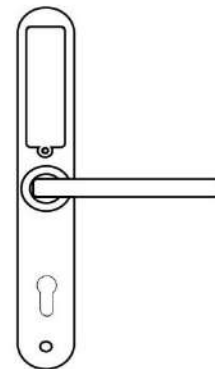
3、 After adjusting the direction of the handle, insert it into the handle seat and re-lock the hexagon screw of the handle to the complete the turning



1、 Turn the handle on back panel
Loosen the inner hexagon screw of the handle counterclockwise

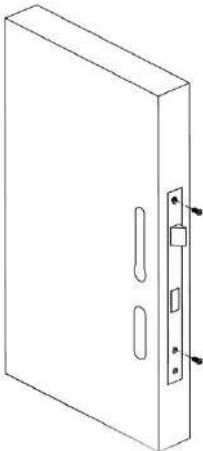
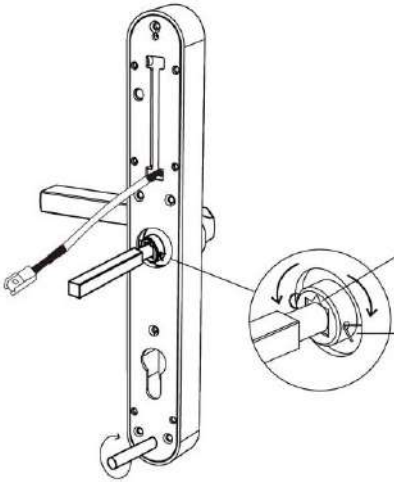
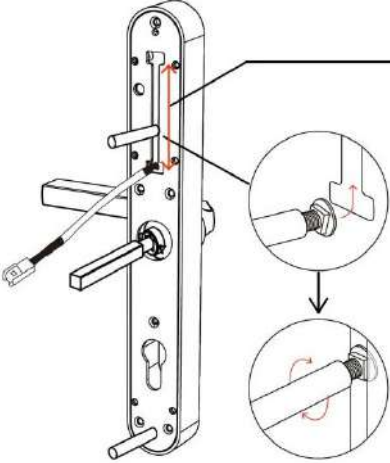
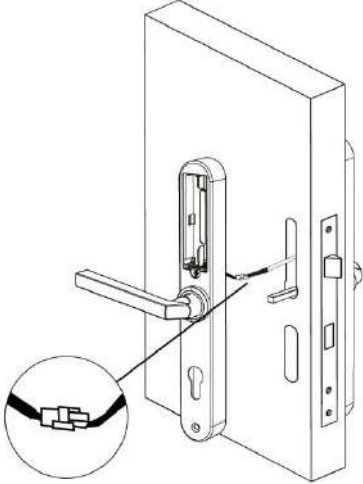
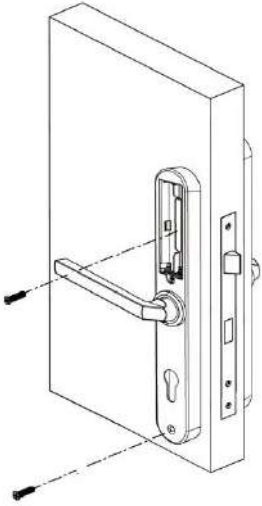
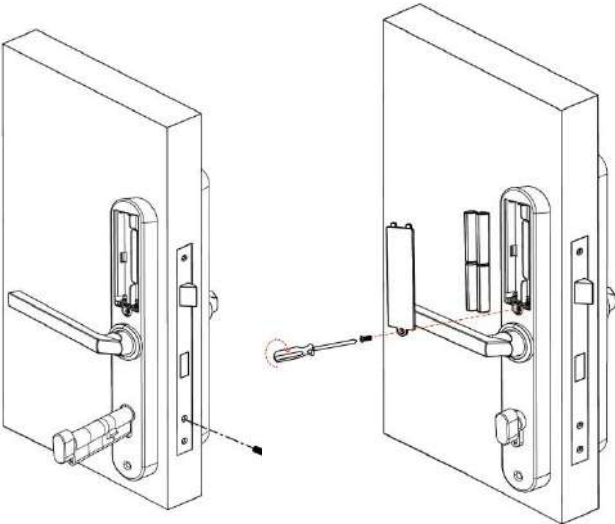


2、 Remove the handle



3、 After adjusting the direction of the handle, insert it into the handle seat and re-lock the hexagon screw of the handle to the complete the turning

2.2. Installation Diagram

Step 1 Install Mortise	Step 2 Install Square Shaft
	 <p data-bbox="1217 483 1449 528">If the handle point to left, turn the triangle point to left</p> <p data-bbox="1217 533 1449 577">If the handle point to right, turn the triangle point to right</p> <p data-bbox="1217 582 1449 667">Insert the bolt into the hole and bend it's front end to fix the square shaft</p>
Step 3 Install Sliding Screw Casing	Step 4 Connect Front and Back Panels Wires
 <p data-bbox="584 920 759 1021">The screw casing place is adjustable from 55mm to 100mm far from the square shaft.</p> <p data-bbox="584 1218 759 1301">Depending on the location of the hole-drilling or the old door hole..</p>	
Step 5 Install Back Panel	Step 6 Install the lock cylinder and Battery
	

3. Operation

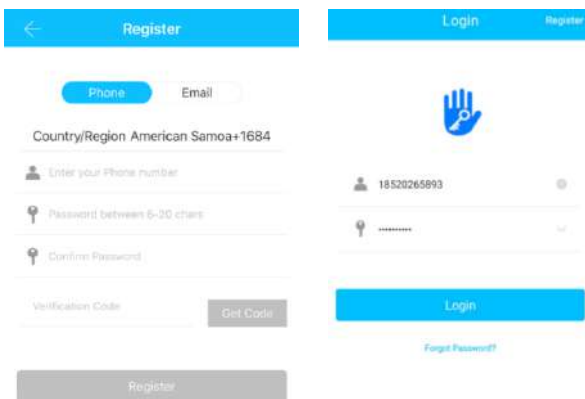
3.1. Registration



The software (iOS version) can be downloaded from the app store, and the Android version can be downloaded from the application store of Google play.

3.2. Connect lock to the phone.

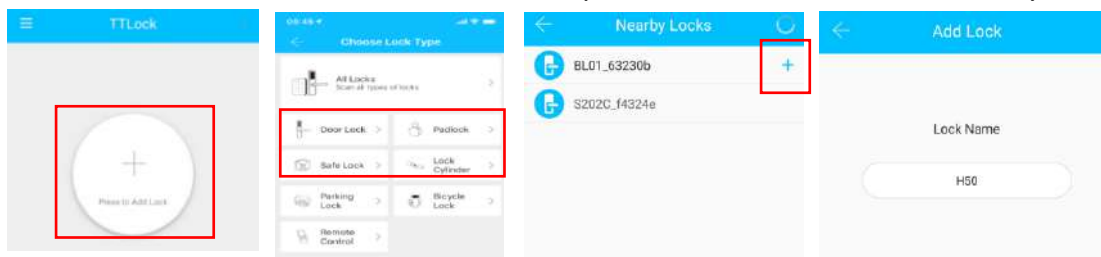
- 1) please scan the QR code to download the app.
- 2) You can also search for TTLock in the APP store (Google Play) to download.
- 4) Register a new account (phone number or email) or login with an existing account.
- 5) Touch the lock screen to light, click "+ Add Lock"
- 6) The lock nearby will appear on the phone screen, Click "+"
- 7) Re-name the lock
- 8) The lock added successfully



TTLock users can register the account by mobile phone and Email which currently support 200 countries and regions on the world. The verification code will be sent to user's mobile phone or email, and the registration will be successful after the verification.


3.3. Add locks.

TTLock supports multiple types of lock devices. The lock needs to be added by the app after entering the add mode. Generally, a lock that has not been added, as long as the lock keyboard is touched, it will enter the add mode. The default password is 123456 if not added by the phone.



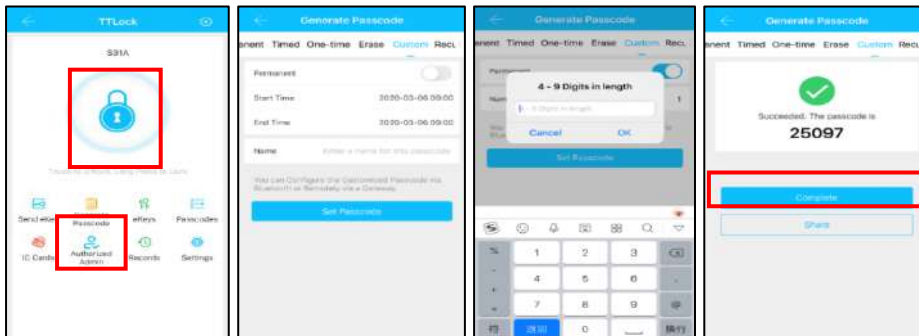
3.4. User Management

3.4.1. Bluetooth management


Make sure there is no problem with Bluetooth communication. After connecting the phone to the door lock as above, Click “” to unlock. (The phone is within 5meters from the door lock)

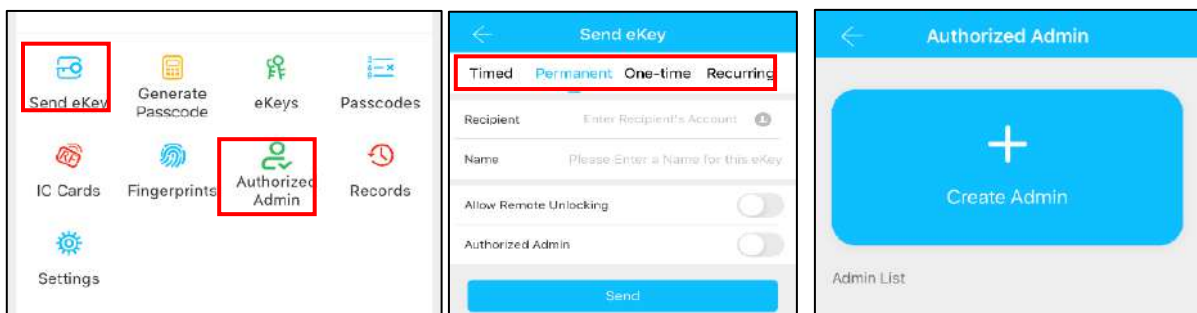
3.4.2. Setting Passcode

Passcodes are also a way to unlock. After entering the passcode on the locked keyboard, press the unlock button in the lower right corner to unlock. Passcodes are divided into permanent, time-limited, single, clear, cycle, and custom. You can share the Passcode to other users via WeChat, SMS, Email, Messenger, WhatsApp.



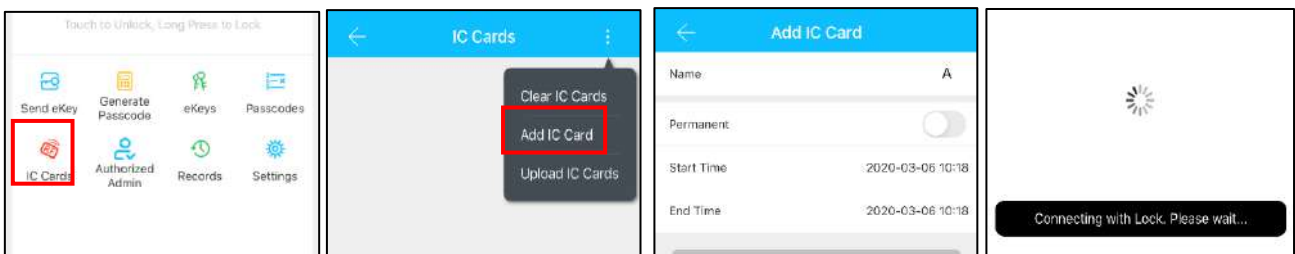
3.4.3. Send e-Key

Click on the “ Send eKey” as shown in figure, you can send the eKey to other users of TTlock to authorize the unlock(the receiver must be download the APP and set up an account)→ Select e-key format (Timed, permanent, One-time, Recurring) → Enter recipient's account of TTlock,set the name and effective time of the eKey, Can choose to allow remote unlocking or disallowing, authorized administrator or not authorized, as shown in figure →Send→The recipient's account has Bluetooth unlock permission



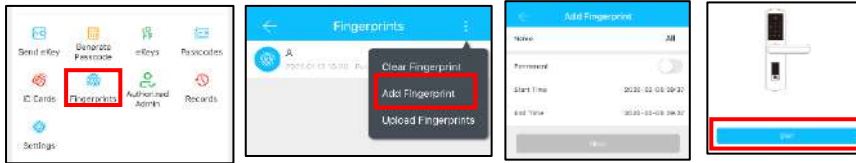
3.4.4. Add card.

Supports opening doors through various IC cards. Before an IC card is used to open the door, it needs to be added first. The adding process needs to be performed by the app beside the lock. The validity period of the IC can be set, it can be permanent, or it can be limited in time.




3.4.5. Add fingerprint.


The premise that a fingerprint can be used to open a door is that it needs to be added first. The adding process needs to be performed by the APP beside the lock. The fingerprint expiration data can be set, it can be permanent, or it can be limited. After setting, you can modify its validity period.




3.4.6. e-Key management

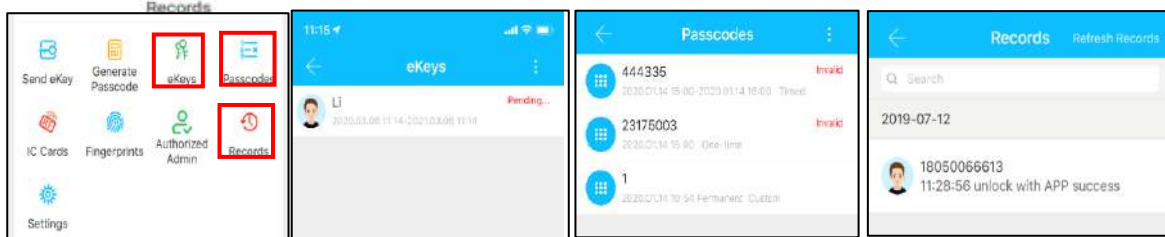
Click "  " The manager can delete ekey, reset ekey, send and adjust the ekey, meanwhile he can search the lock record.

3.4.7. Passcode management

Click "  ". All generated passwords can be viewed and managed in the password management module. This includes a password change, password deletion, password reset, and password unlock record.

3.4.8. Unlock records.

Click "  " you can query your unlock record as shown in figure.

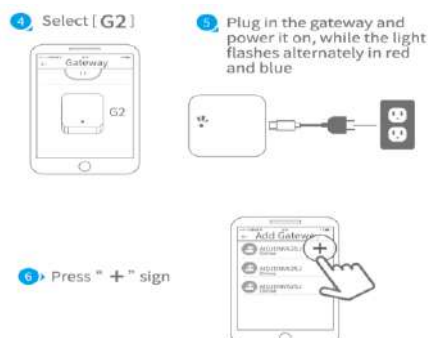
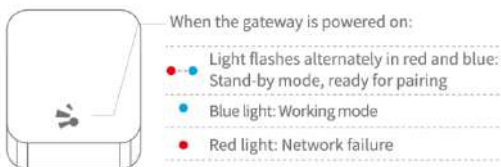


3.5. Gateway management (Optional)

The TT lock is directly connected via Bluetooth, which is why it is not attacked by the network. The gateway is a bridge between smart locks and home WIFI networks. Through the gateway, the user can remotely view and calibrate the lock clock, read the unlock record. Meanwhile, it can remotely delete and modify the password.

3.5.1. Add Gateway

Light Status



Pair the Gateway with APP



⚠ Notice: If times out, please power off and try it again.

3.5.2. Manual

After a short period of time, you can see which locks are in their coverage in the app. Once the lock is bound to the gateway, the lock can be managed through the gateway.

4.FAQ

1) How to read operation records?	In the Records of the main interface.
2) Why can't I unlock it after open the passage mode	You need to perform an unlock verification in any method, then the passage mode will take effect.
3) What is the purpose of Auto Lock	You can set how long to lock after unlocking.
4) After installation, touch sensing keyboard, screen no respond	a) In this case, first check that the positive and negative electrodes of the battery have been installed upside down, whether the battery has enough power. b) Remove the back panel and see if it's connected. c) To eliminate the above situation, you need to remove the lock, check whether the wires of the lock body are squeezed, and the re-wire.
5) Unable to register fingerprint	Check the fingers for dirt or wear, check the fingerprint head on the lock for dirt and oil stains, etc. Check to see if the fingerprint is working properly (Press to see if there are any responds).
6) What is the reason why the smart lock consumes fast power?	a) Large standby power consumption b) Short circuit
7) There is no response to pressing the handle on outside the door, and there is unlock normally on inside the door, but the verification is normal, and the motor is normal.	It may be the triangle direction on the clutch was error, please check correction.
8) How many times will the password be locked? How long is it locked?	Enter the wrong password more than 5 times in a row, the keyboard is locked for 5 minutes.

Special Attention:

1. Please note, locking with mechanical key cannot be overridden by the Smart Handle - this is an additional 'Holiday Lock' function to lock the mechanism only - the key will be required to gain access.
2. Please replace for the battery when low wattage alarm rings.
3. Read manual carefully before installation and keep it for future reference.