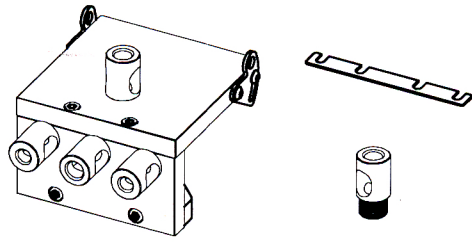
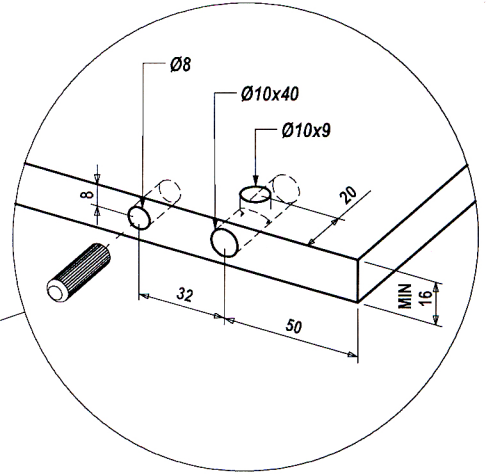
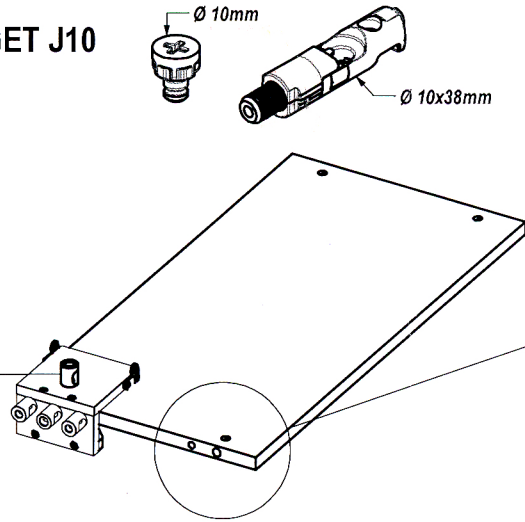
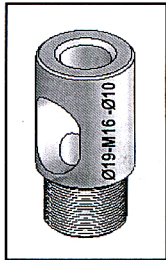


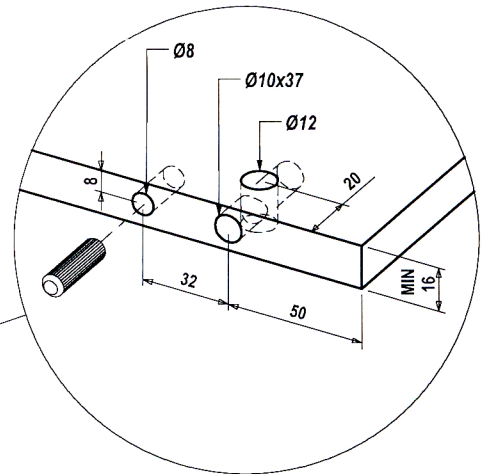
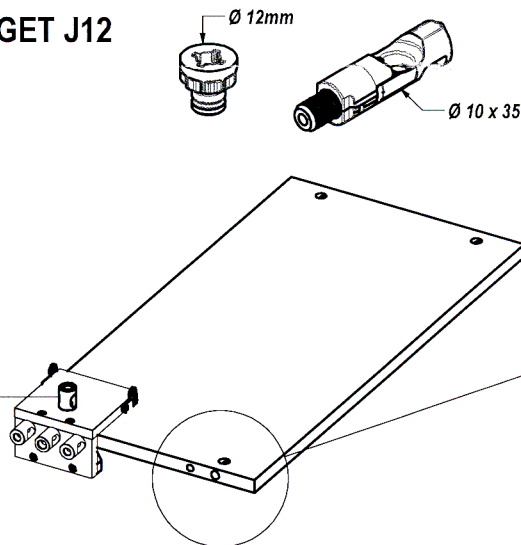
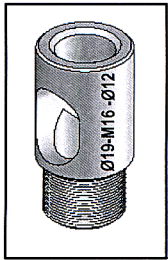
Y0JG0100RO
Drilling Jig for TARGET J10-12
for panels 16mm and 18mm



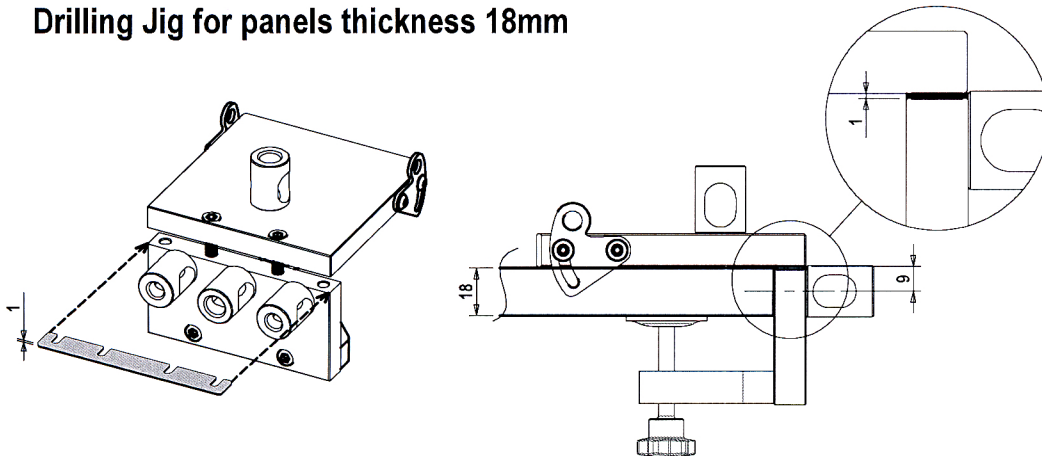
Drilling Jig for TARGET J10



Drilling Jig for TARGET J12



Drilling Jig for panels thickness 18mm



SPACERS AVAILABLE ON REQUEST

